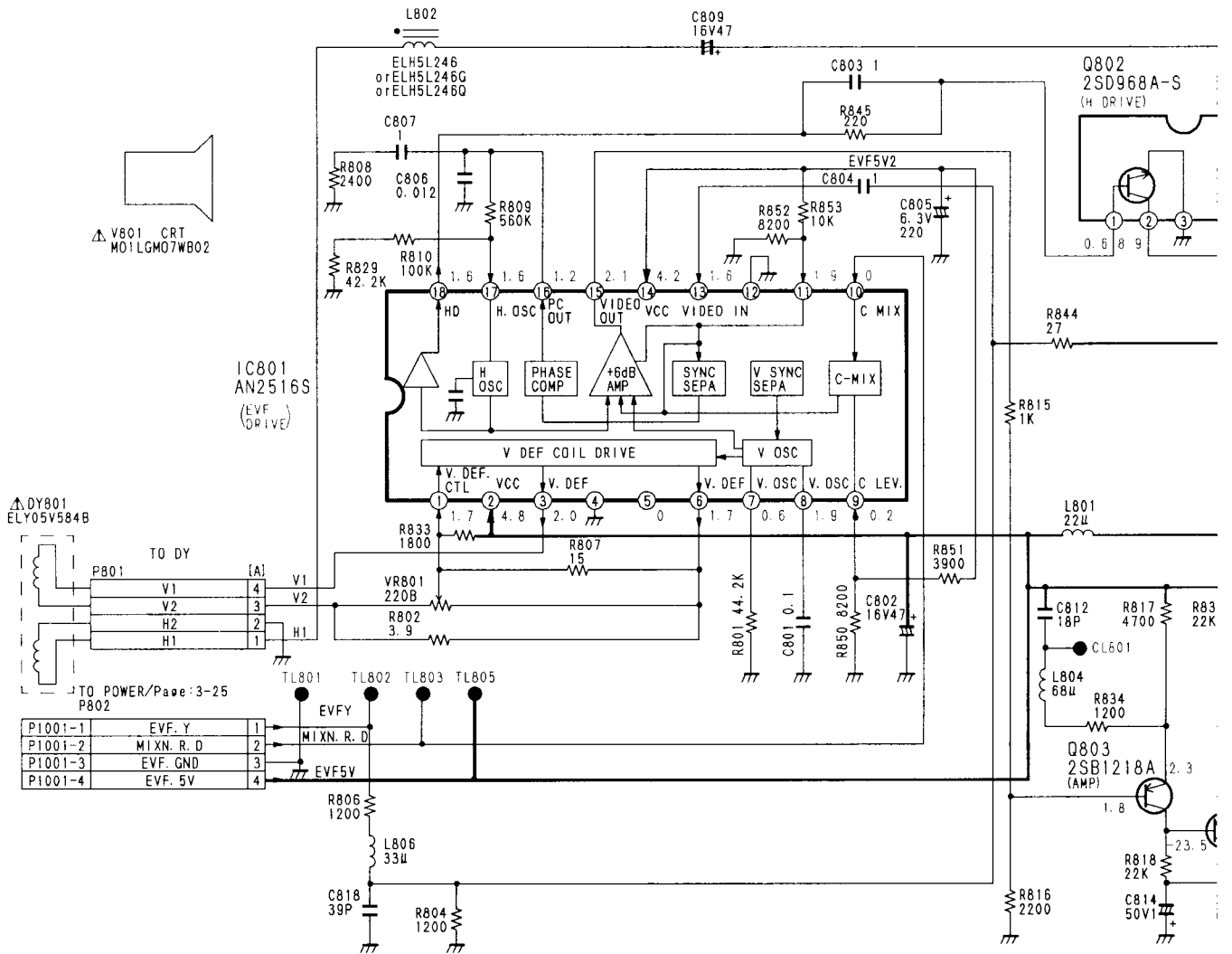
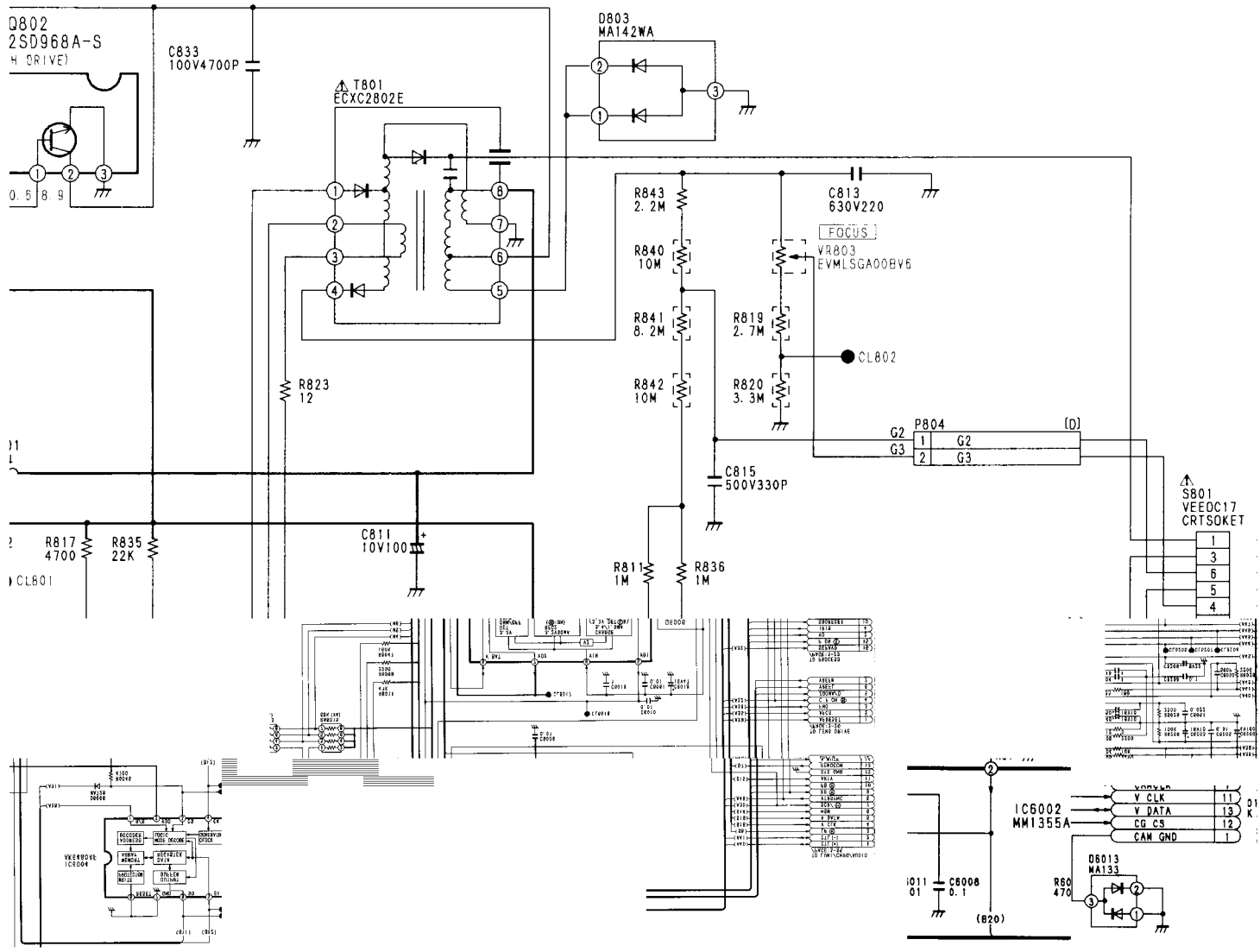


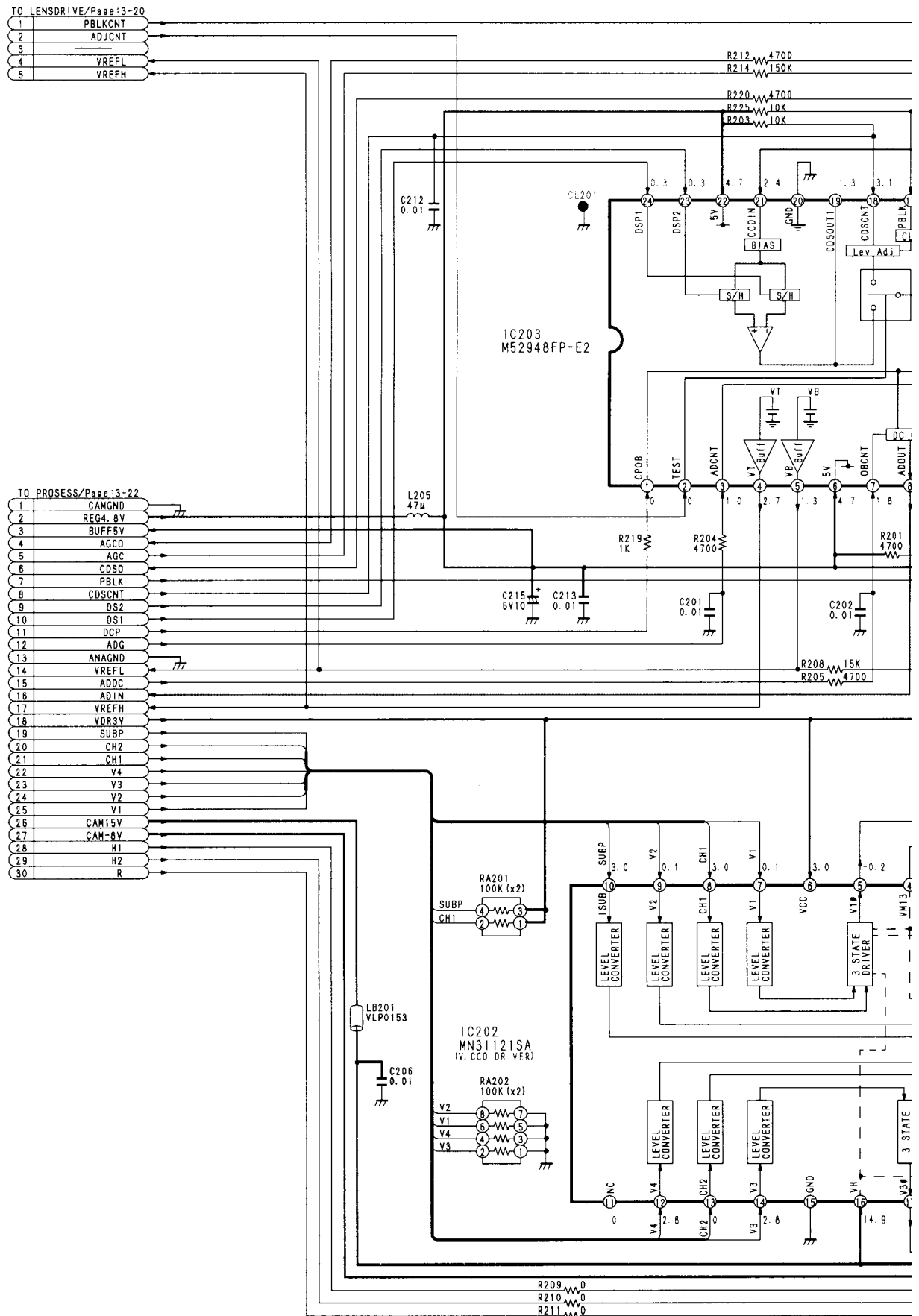
EVF SCHEMATIC DIAGRAM



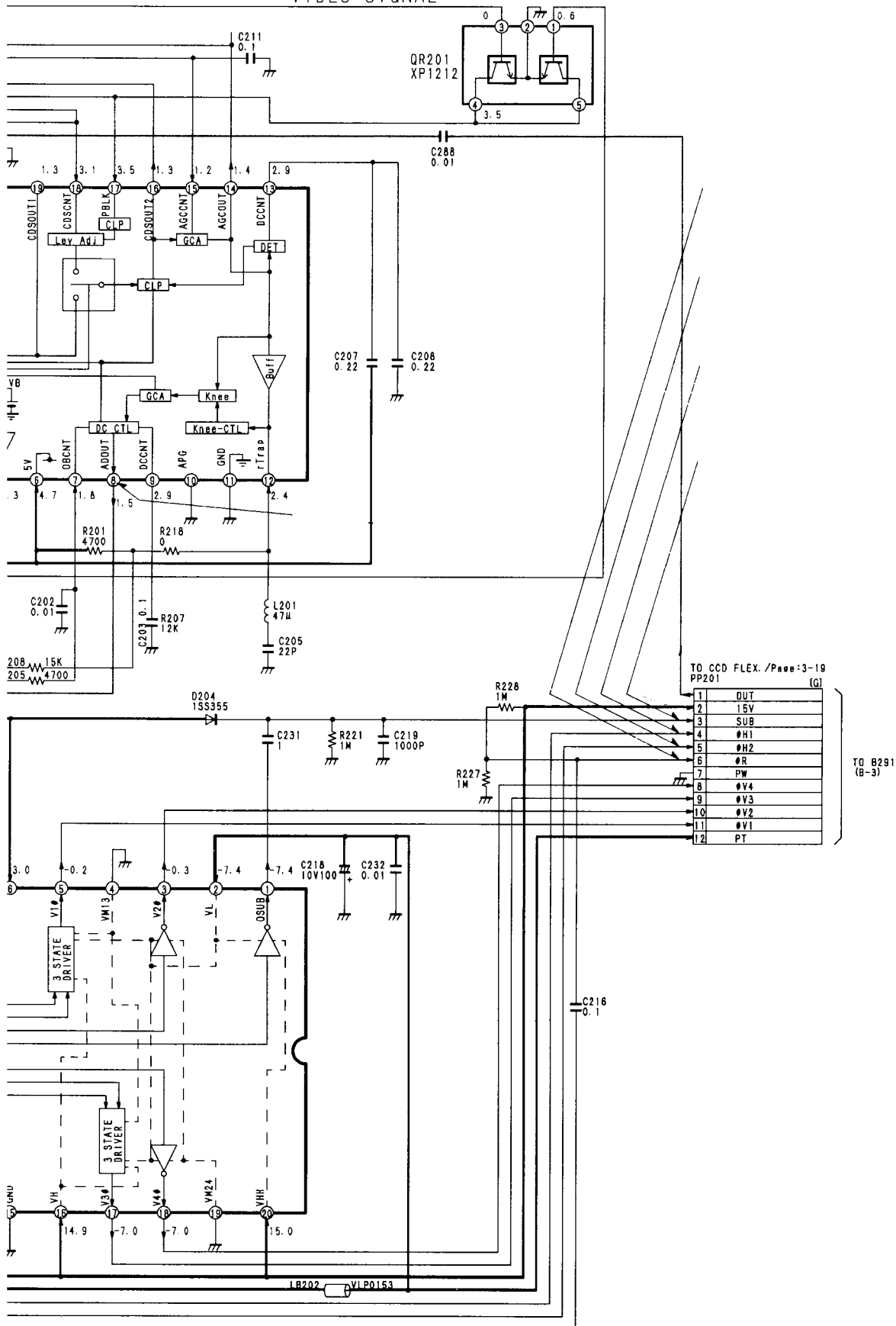
IMPOF
COMPC
WHEN
NOTE:



SENSOR SCHEMATIC DIAGRAM

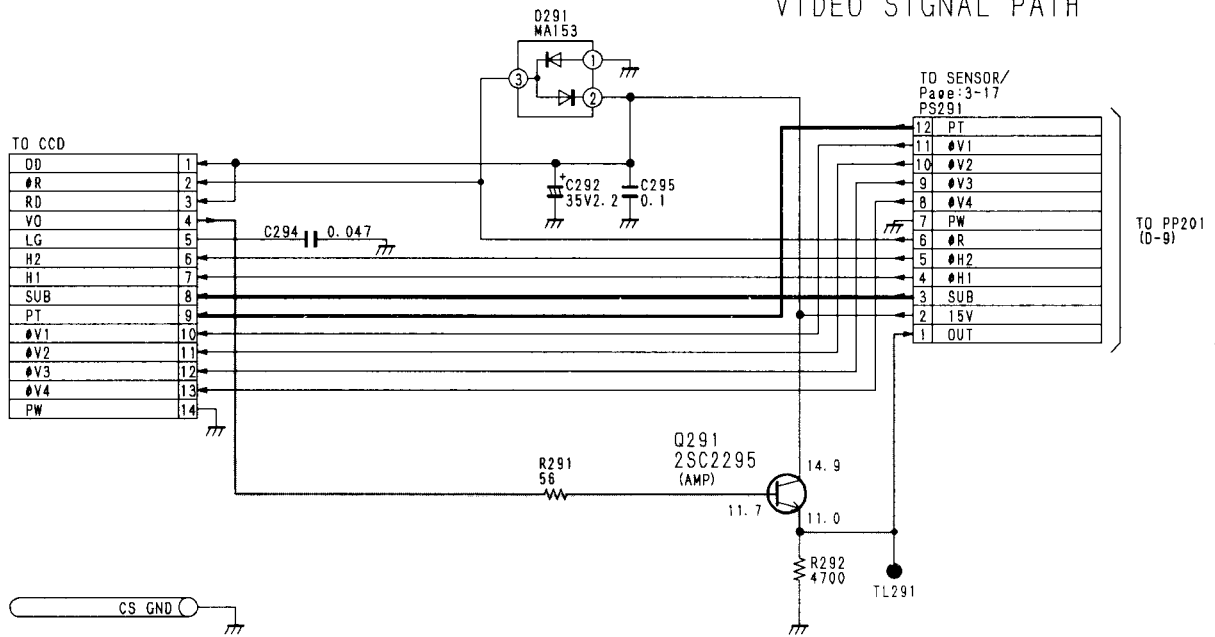


VIDEO SIGNAL

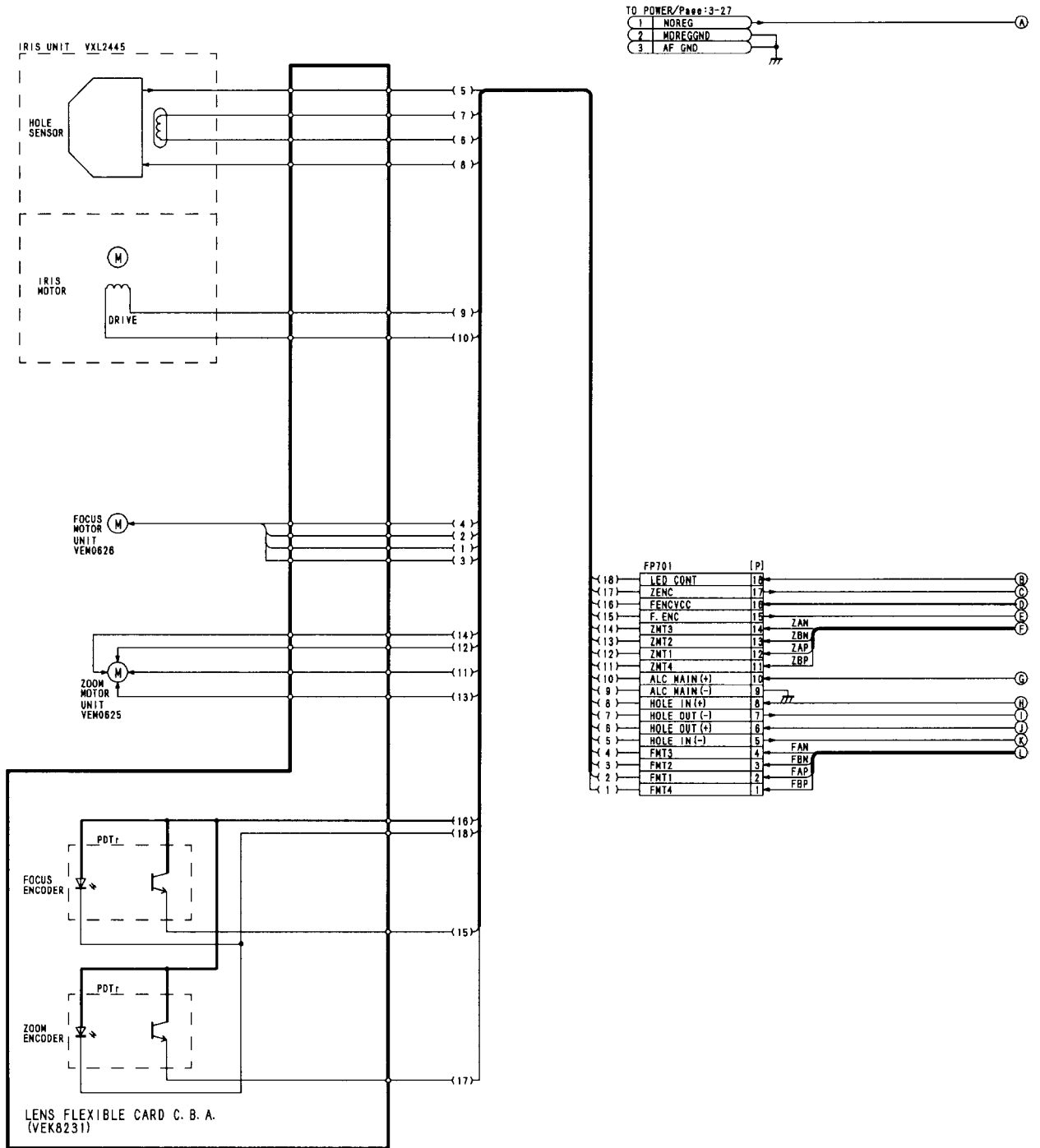


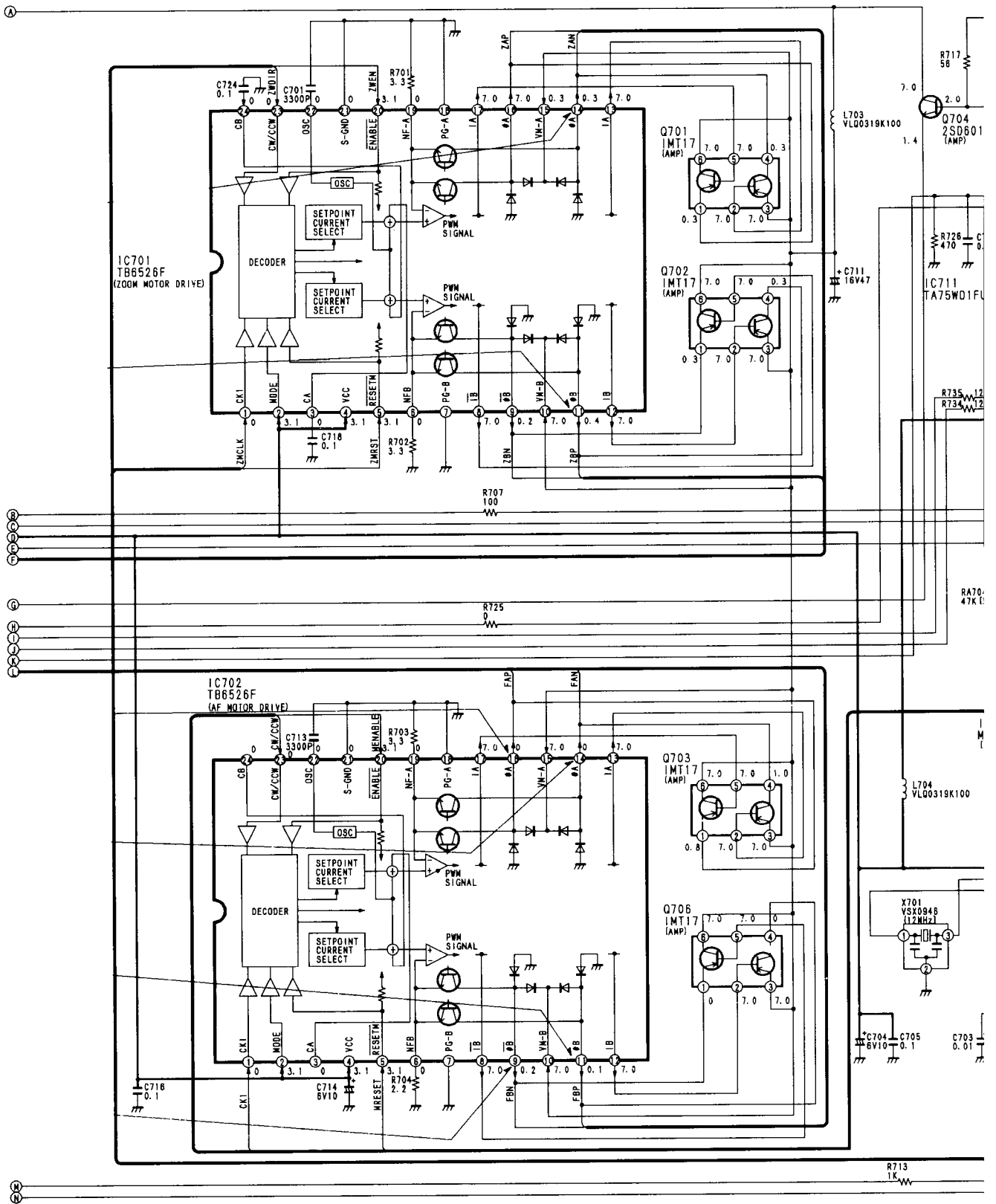
CCD FLEXIBLE CARD SCHEMATIC DIAGRAM

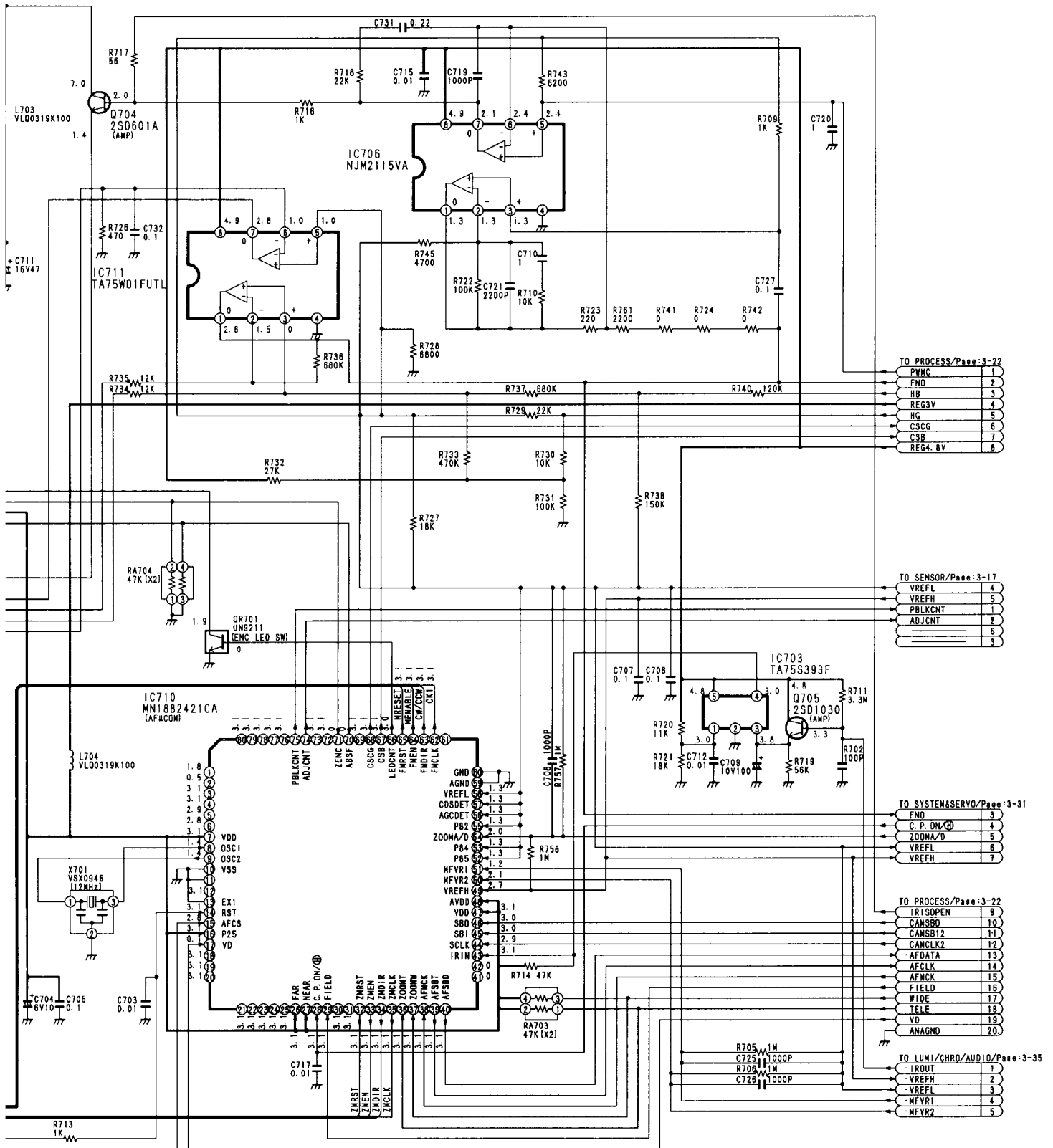
VIDEO SIGNAL PATH



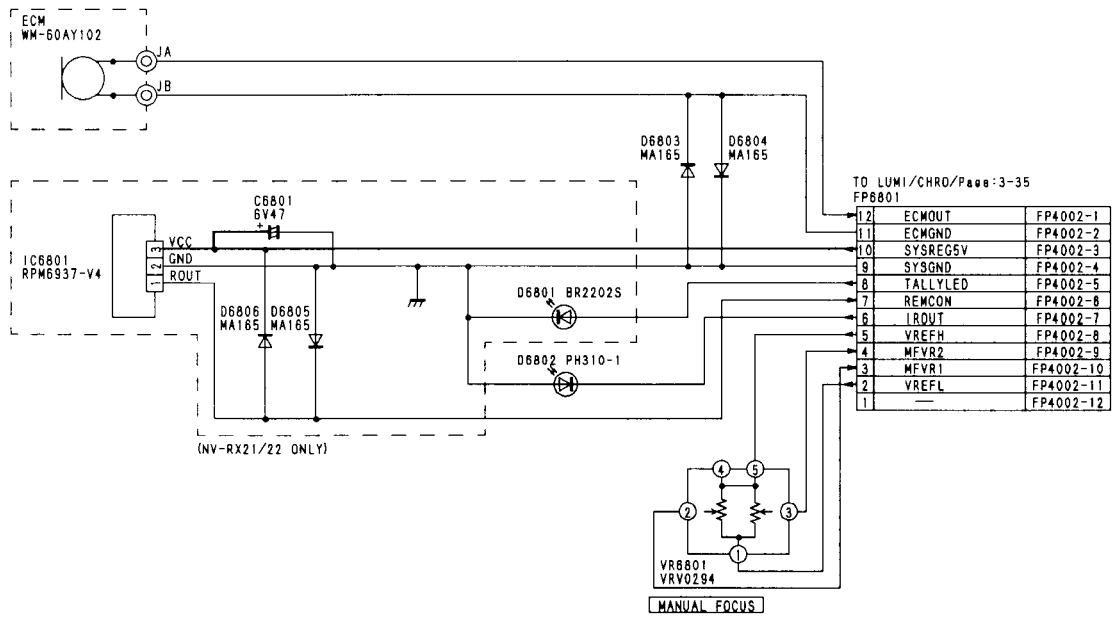
LENS DRIVE SCHEMATIC DIAGRAM



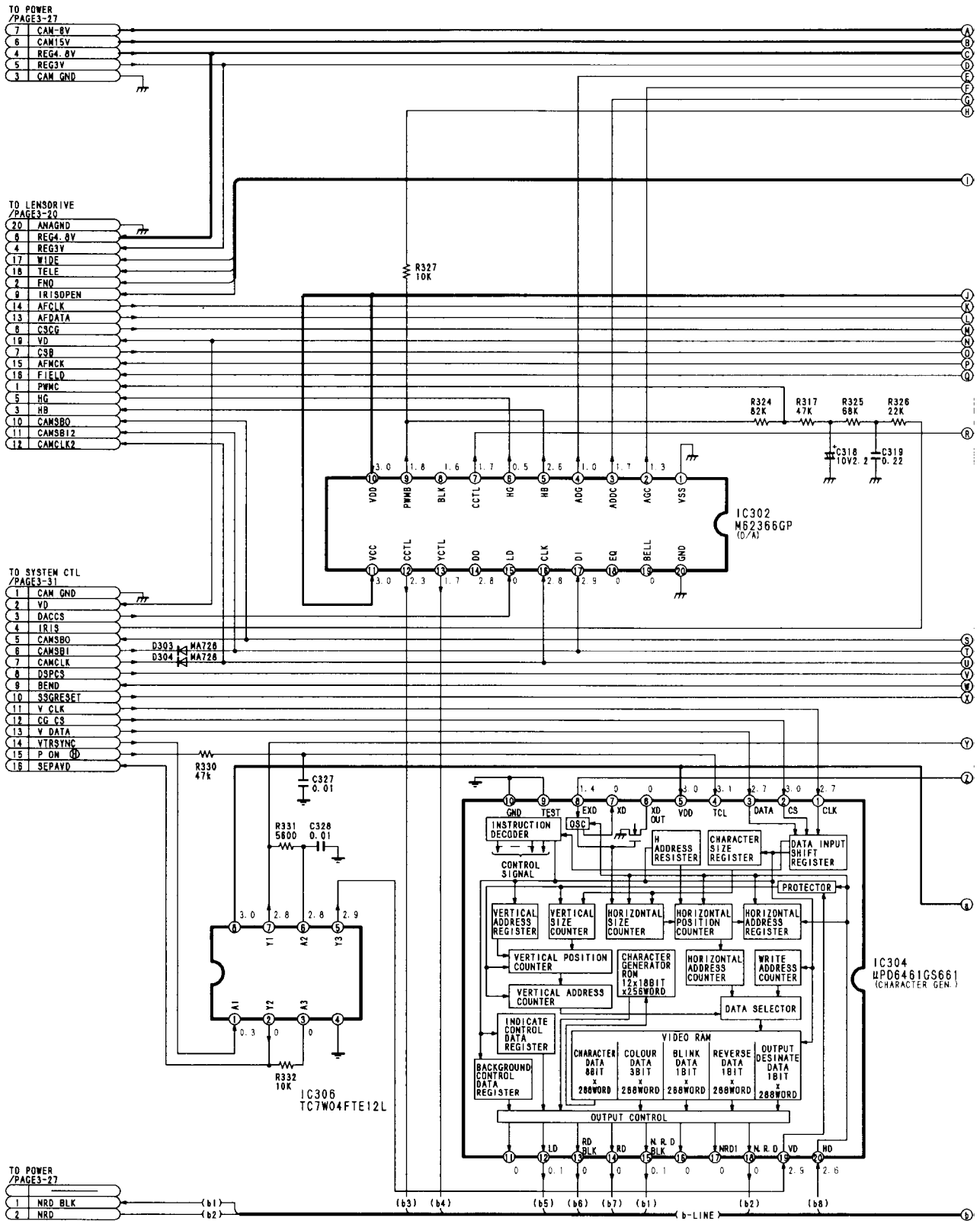




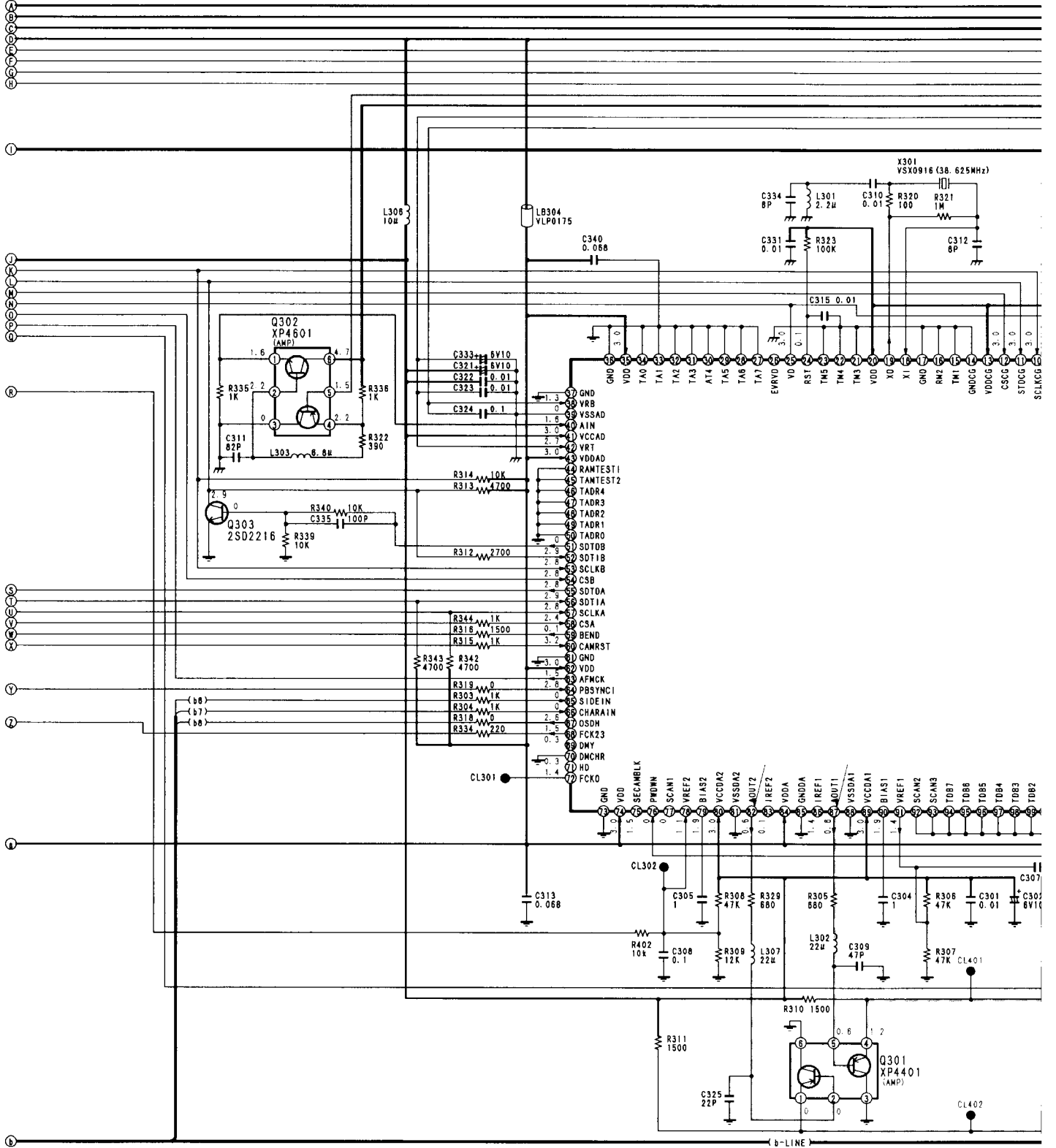
MIC SCHEMATIC DIAGRAM

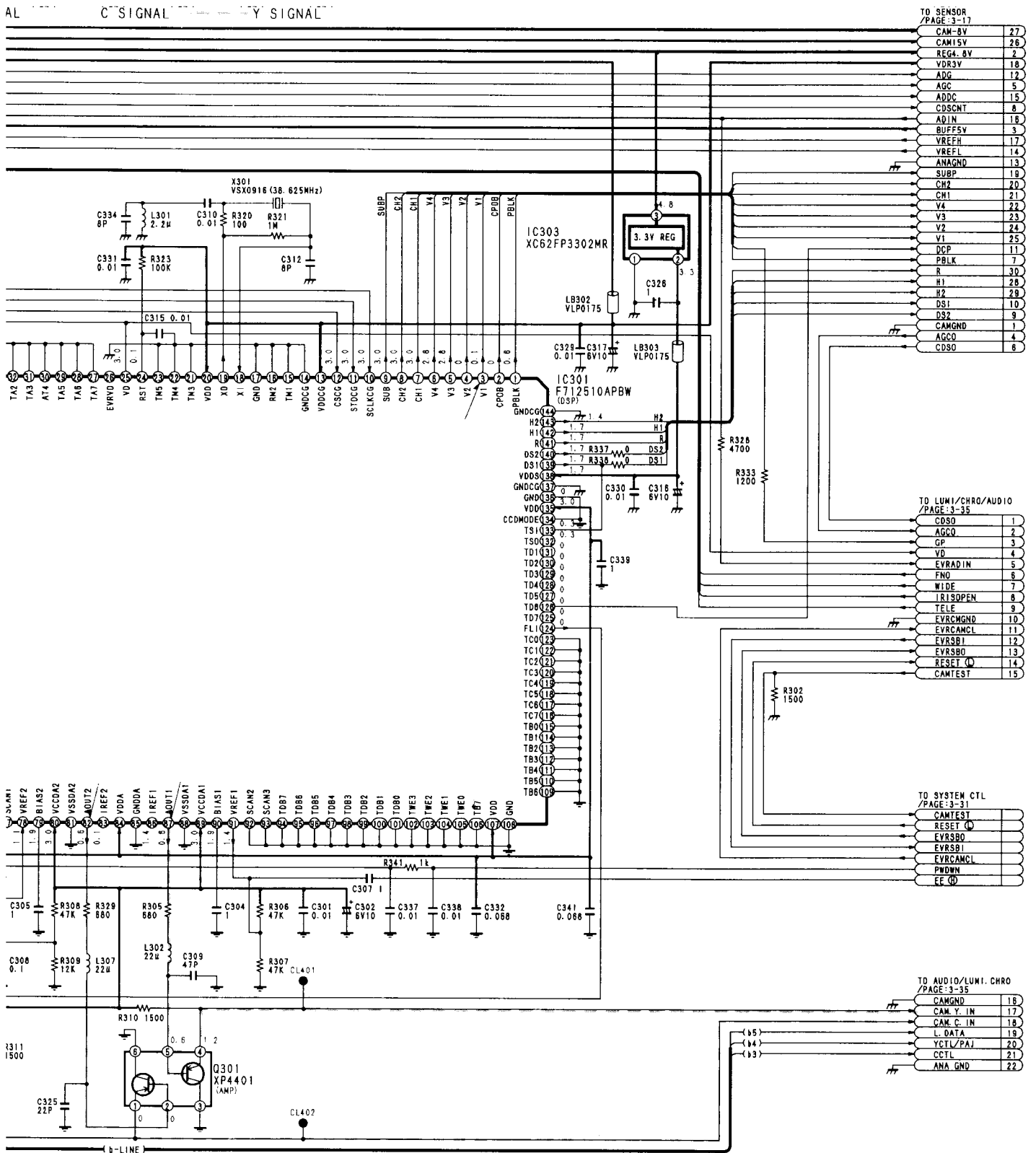


PROCESS SCHEMATIC DIAGRAM



VIDEO SIGNAL C SIGNAL Y SIGNAL





TO SENSOR /PAGE: 3-17

CAM-BV	27
CAM15V	26
REG4.8V	2
VDR3V	18
ADG	12
AGC	5
ADDC	15
CDSO	8
ADIN	18
BUFF5V	3
VREFH	17
VREFL	14
ANAGND	13
SUBP	19
CH2	20
CH1	21
V4	22
V3	23
V2	24
V1	25
DCP	7
PBLK	11
R	30
H1	28
H2	29
DS1	10
DS2	9
CAMGND	1
AGCO	4
CDSO	6

TO LUMI/CHRO/AUDIO /PAGE: 3-35

CDSO	1
AGCO	2
GP	3
VD	4
EVRAIN	5
FNO	6
WIDE	7
IRISOPEN	8
TELE	9
EVRCMND	10
EVRCANCL	11
EVRSB1	12
EVRSB0	13
RESET	14
CAMTEST	15

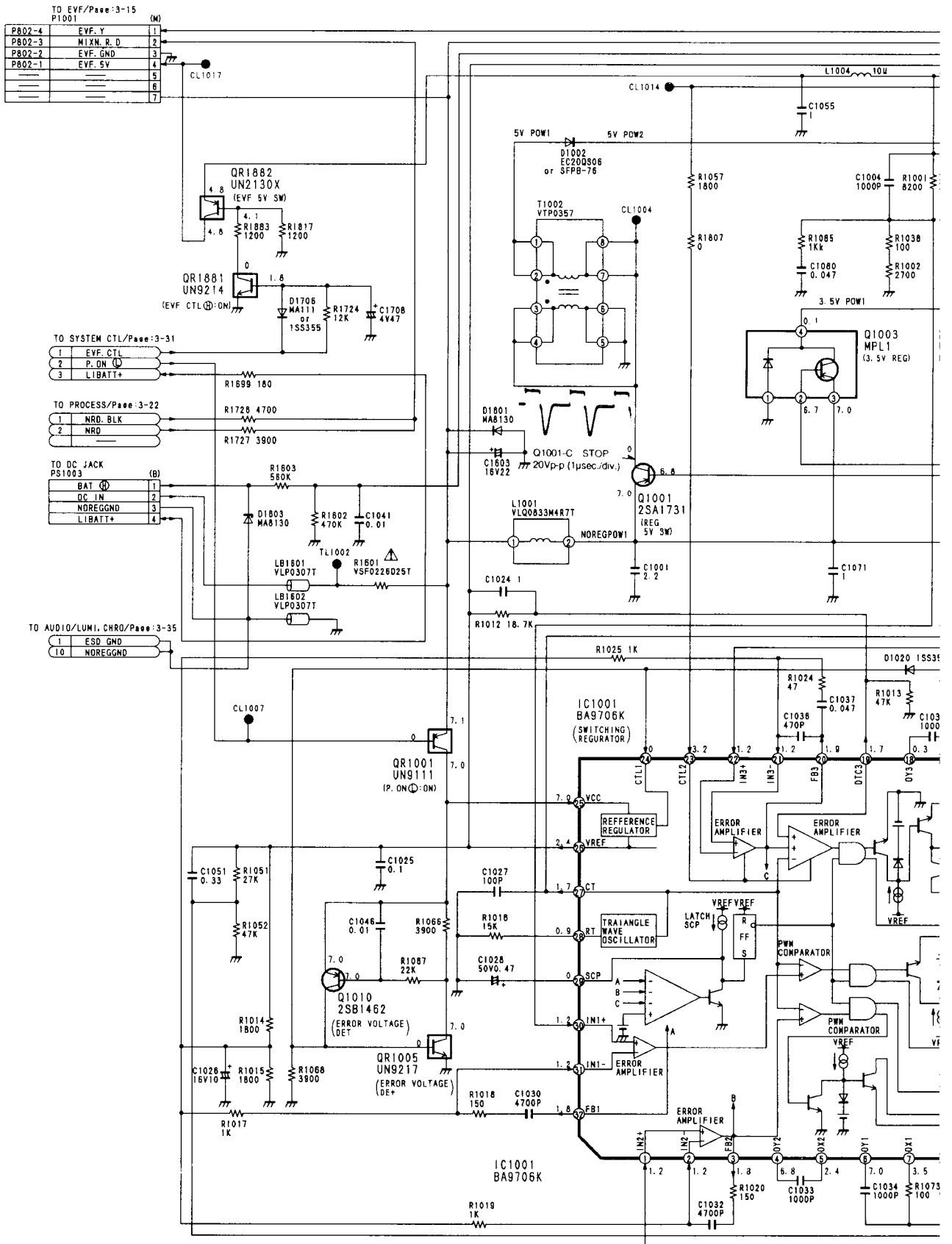
TO SYSTEM CTL /PAGE: 3-31

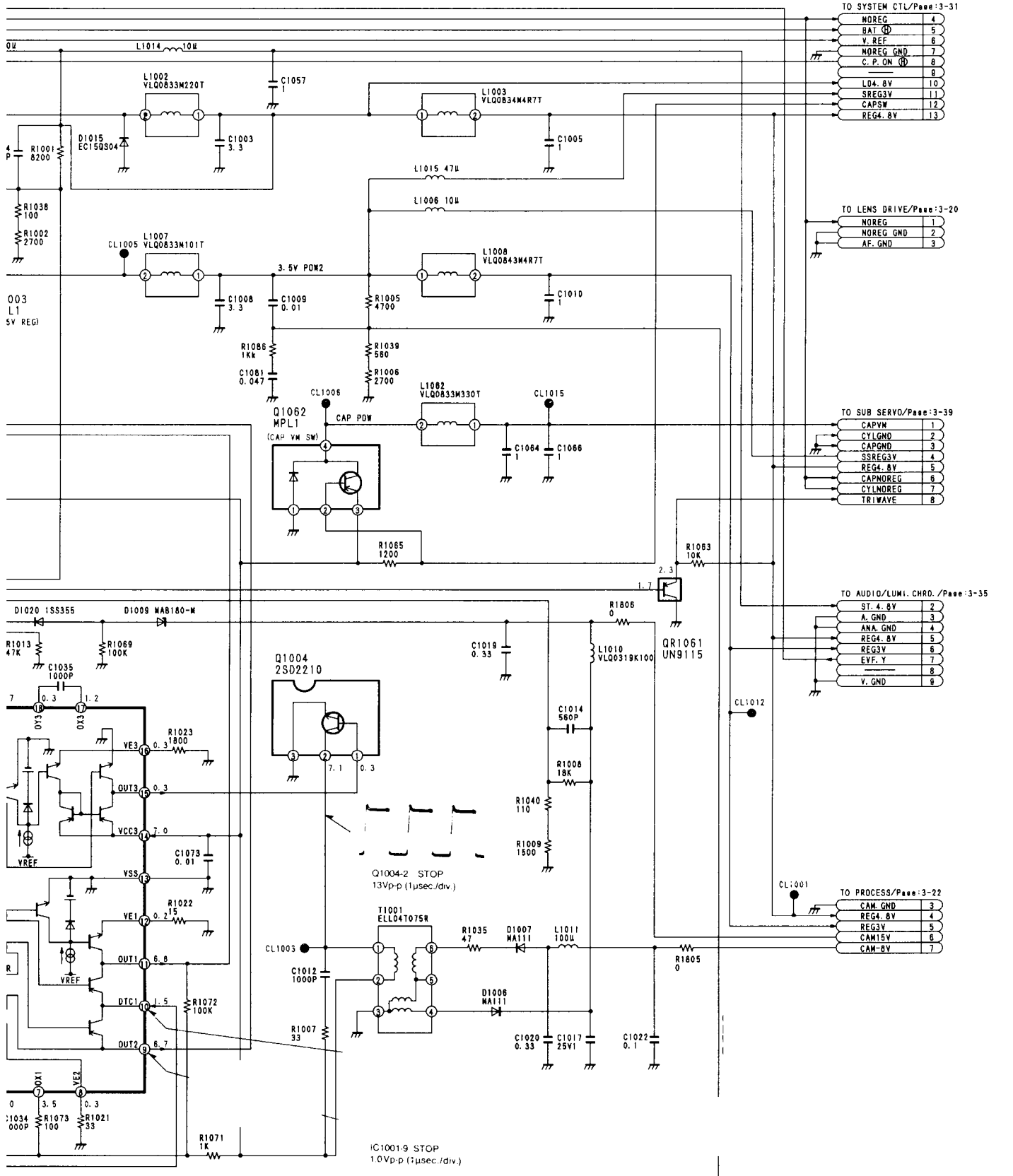
CAMTEST	1
RESET	2
EVRSB0	3
EVRSB1	4
EVRCANCL	5
PWDN	6
EE	7

TO AUDIO/LUMI. CHRO /PAGE: 3-35

CAMGND	18
CAM.Y. IN	17
CAM.C. IN	18
L. DATA	19
YCTL/PAJ	20
CCTL	21
ANA. GND	22

POWER SCHEMATIC DIAGRAM





TO SYSTEM CTL/Pass:3-31

NDREG	4
BAT	5
V. REF	6
NDREG GND	7
C. P. ON	8
	8
LD4.8V	10
SREG3V	11
CAPSW	12
REG4.8V	13

TO LENS DRIVE/Pass:3-20

NDREG	1
NDREG GND	2
AF. GND	3

TO SUB SERVO/Pass:3-39

CAPVM	1
CYL GND	2
CAP GND	3
SSREG3V	4
REG4.8V	5
CAPNDREG	6
CYLNDREG	7
TRIMWAVE	8

TO AUDIO/LUMI. CHR.D./Pass:3-35

ST. 4.8V	2
A. GND	3
ANA. GND	4
REG4.8V	5
REG3V	6
EYF. Y	7
	8
V. GND	9

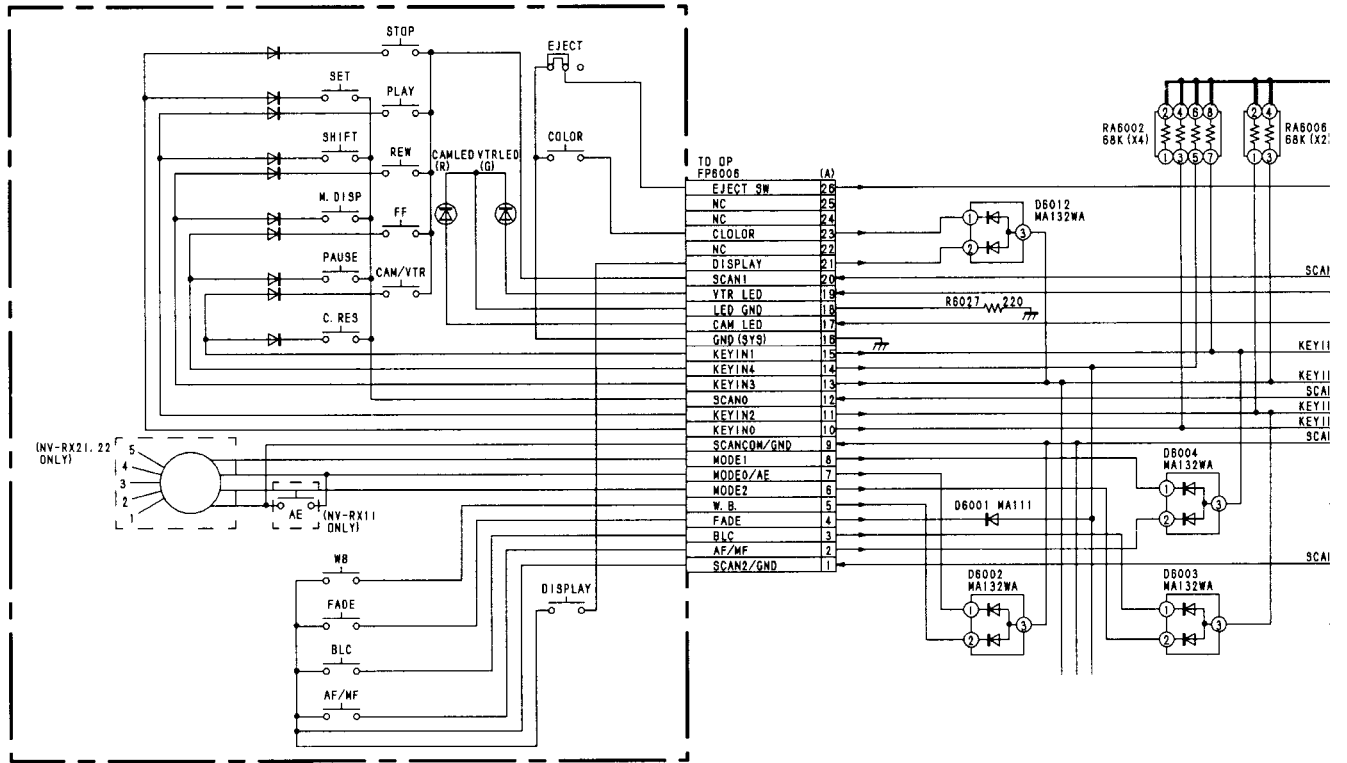
TO PROCESS/Pass:3-22

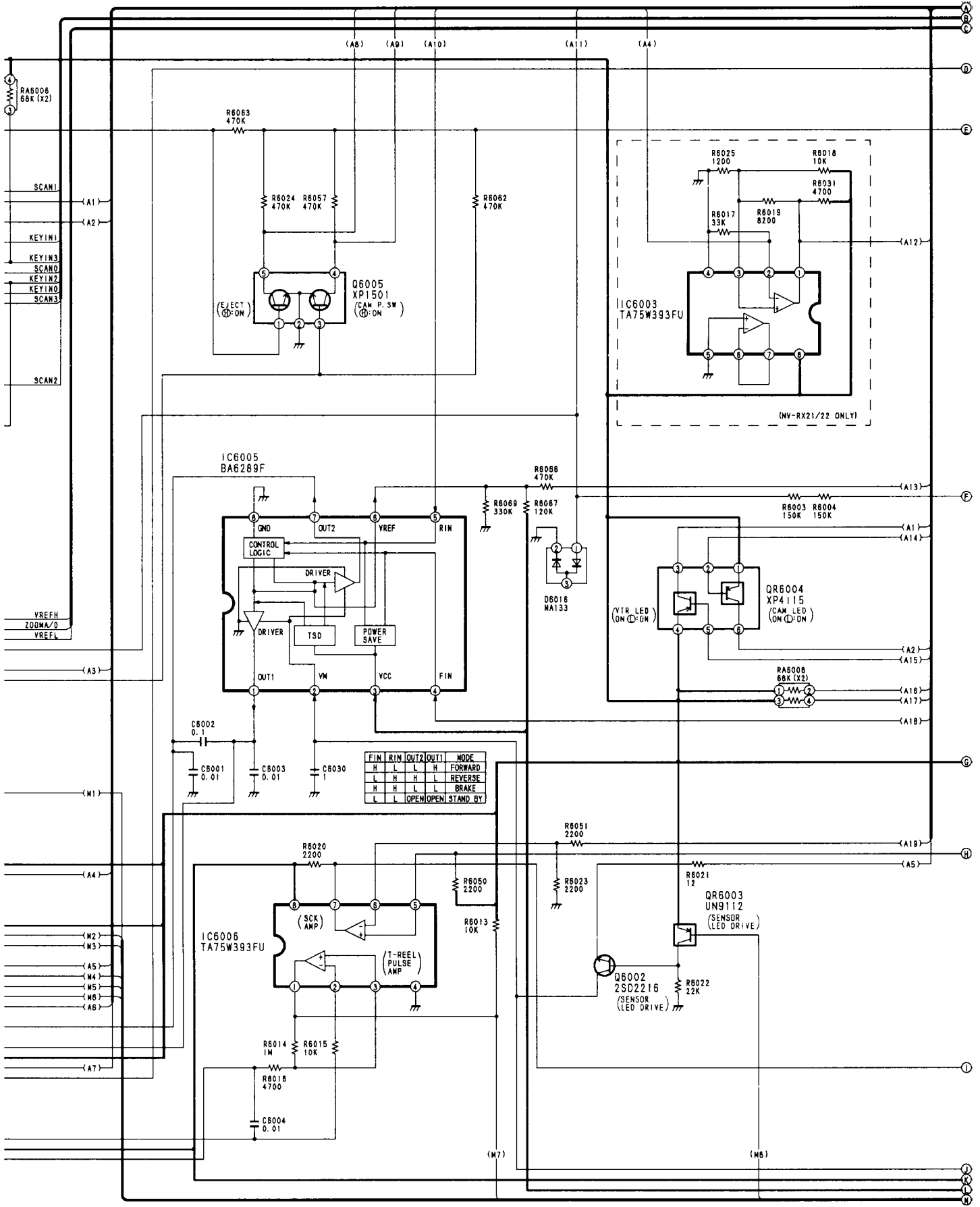
CAM. GND	3
REG4.8V	4
REG3V	5
CAM15V	6
CAM-8V	7

Q1004-2 STOP
13Vp-p (1µsec./div.)

IC1001-9 STOP
1.0Vp-p (1µsec./div.)

SYSTEM CONTROL & SERVO SCHEMATIC DIAGRAM

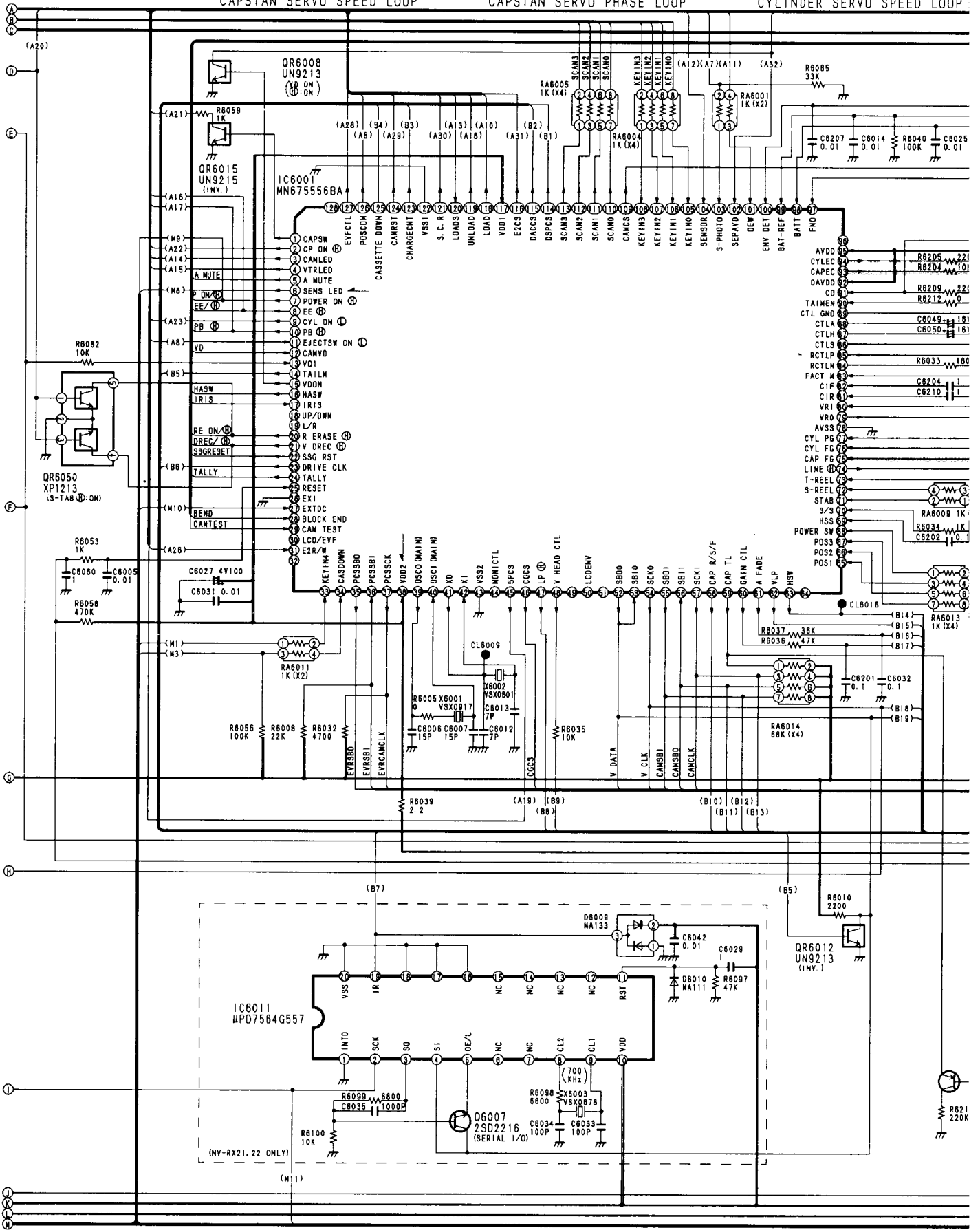




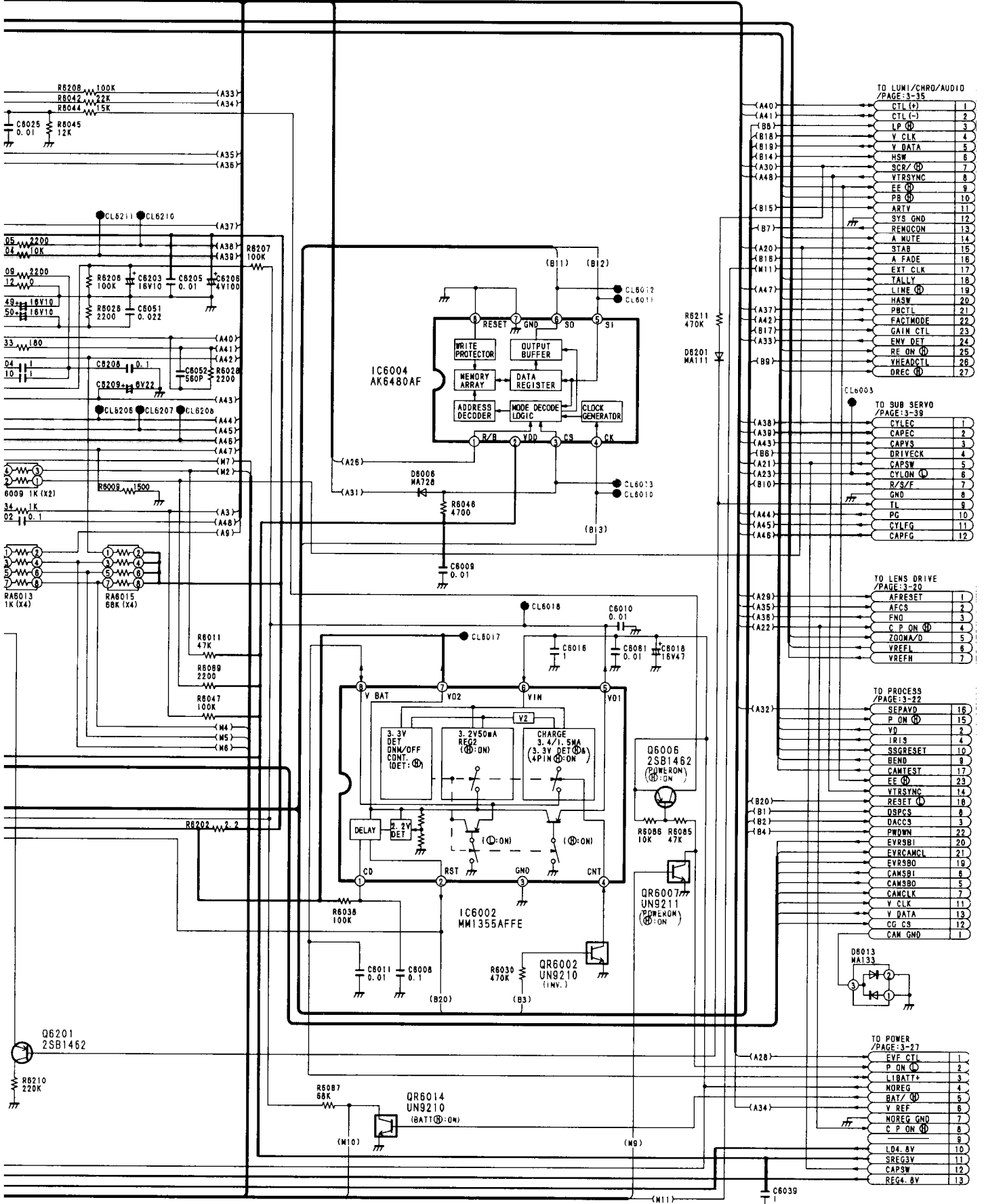
CAPSTAN SERVO SPEED LOOP

CAPSTAN SERVO PHASE LOOP

CYLINDER SERVO SPEED LOOP



LOOP CYLINDER SERVO PHASE LOOP



TO LUMI/CHRG/AUDIO
PAGE:3-35

- (A40) CTL (+) 1
- (A41) CTL (-) 2
- (B8) LP (D) 3
- (B18) V. CLK 4
- (B19) V. DATA 5
- (B14) HSW 6
- (A30) SCR/ (D) 7
- (A48) VTRSYNC 8
- EE (D) 9
- PB (D) 10
- (B15) ARTV 11
- (B7) SYS GND 12
- (B7) REMGND 13
- (A20) A MUTE 14
- (B16) STAB 15
- (B16) A FADE 16
- (M11) EXT CLK 17
- (A47) TALLY 18
- (A42) LINE (D) 19
- (A37) HASW 20
- (A42) PCTRL 21
- (A42) FACTMODE 22
- (B17) GAIN CTL 23
- (A33) ENV DET 24
- (B8) RE ON (D) 25
- (B8) YHEADCTL 26
- (B8) DREC (D) 27

TO SUB SERVO
PAGE:3-39

- (A38) CYLCK 1
- (A38) CAPEC 2
- (A43) CAPYS 3
- (B8) DRIVECK 4
- (A21) CAPSW (D) 5
- (A23) CYLON (D) 6
- (B10) R/S/F 7
- GND 8
- TL 9
- PG 10
- (A45) CYLFG 11
- (A48) CAPEG 12

TO LENS DRIVE
PAGE:3-20

- (A29) AFRESET 1
- (A35) AFCS 2
- (A36) FNO 3
- (A22) C P ON (D) 4
- ZOOM/D 5
- VREFL 6
- VREFH 7

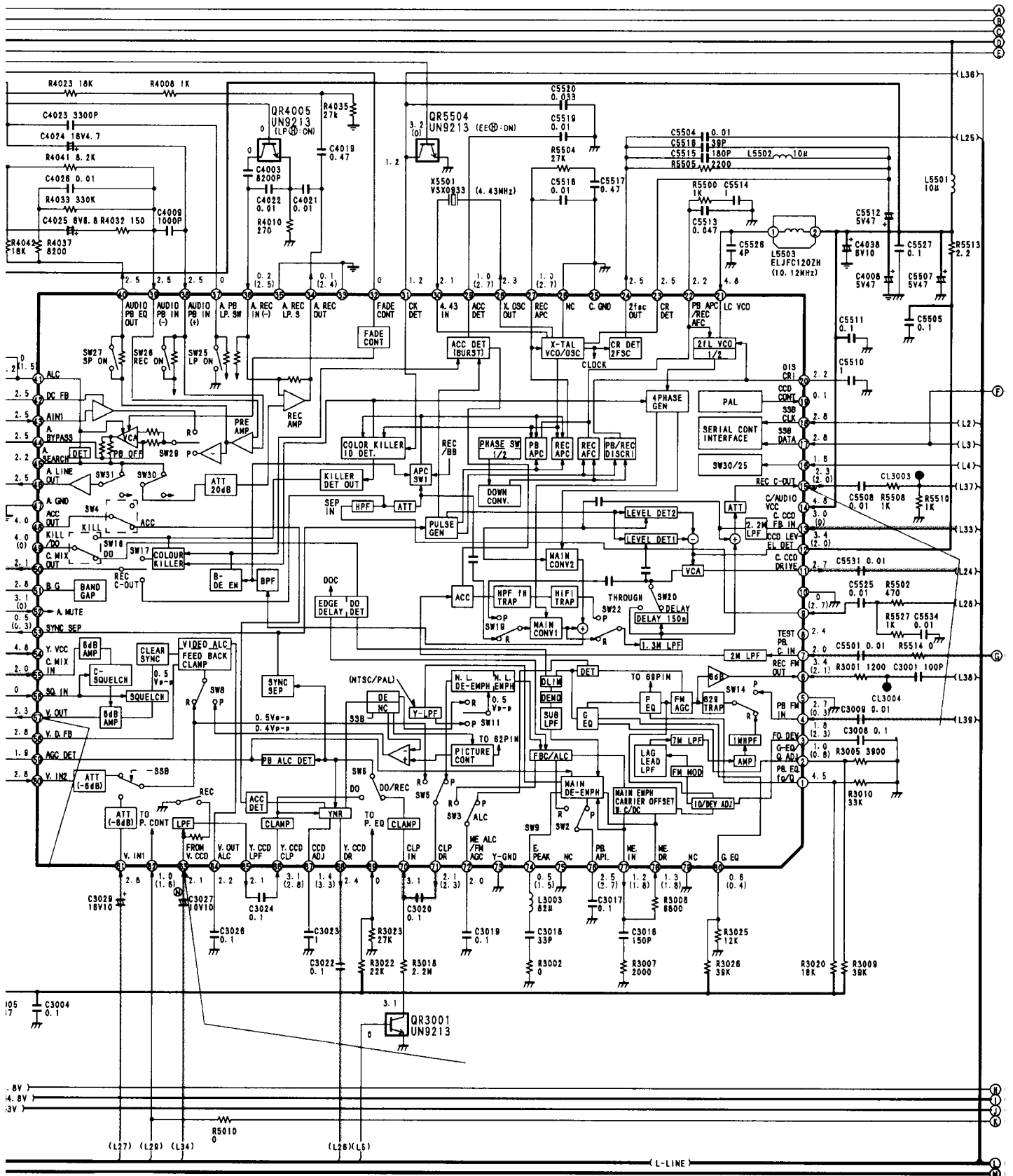
TO PROCESS
PAGE:3-22

- (A32) SEPAVD 16
- P. ON (D) 15
- VD 2
- IRIS 4
- SERRESET 10
- BEND 8
- CAMTEST 17
- EE (D) 23
- VTRSYNC 14
- RESET (D) 18
- DSPCS 8
- DACC3 3
- PWOWN 22
- EVRSBI 20
- EVRCAMCL 21
- EVRSBO 19
- CAMSBI 8
- CAMSBO 5
- CAMCLK 7
- V. CLK 11
- V. DATA 13
- CC CS 12
- CAM GND 1

TO POWER
PAGE:3-27

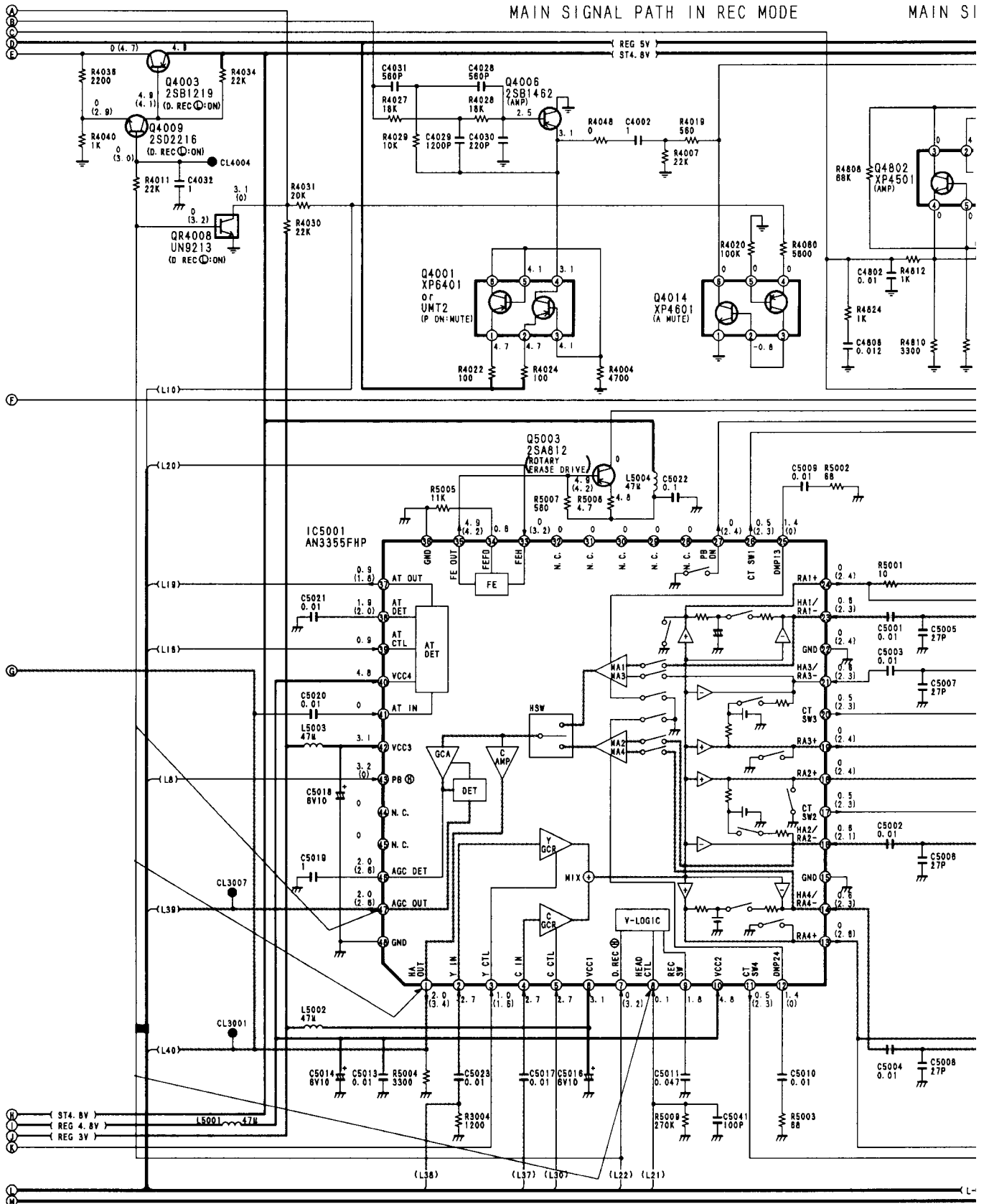
- (A28) EVF CTL 1
- P. ON (D) 2
- LIBATT+ 3
- NOREG 4
- BATZ (D) 5
- V. REF 6
- NOREG GND 7
- C P ON (D) 8
- 9
- LD4. 6V 10
- SREG3V 11
- CAPSW 12
- REG4. 6V 13

DIAGRAM



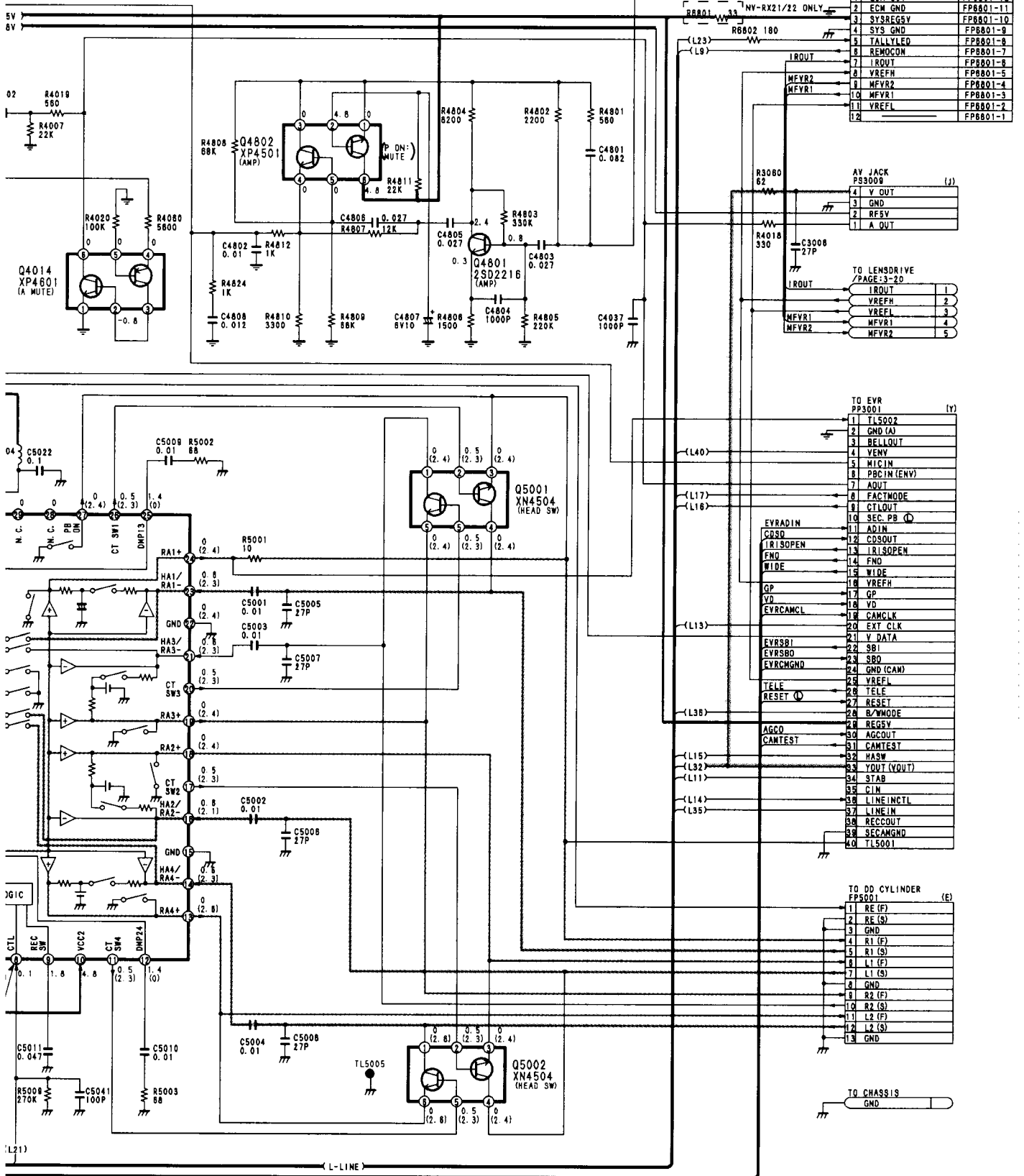
MAIN SIGNAL PATH IN REC MODE

MAIN SI



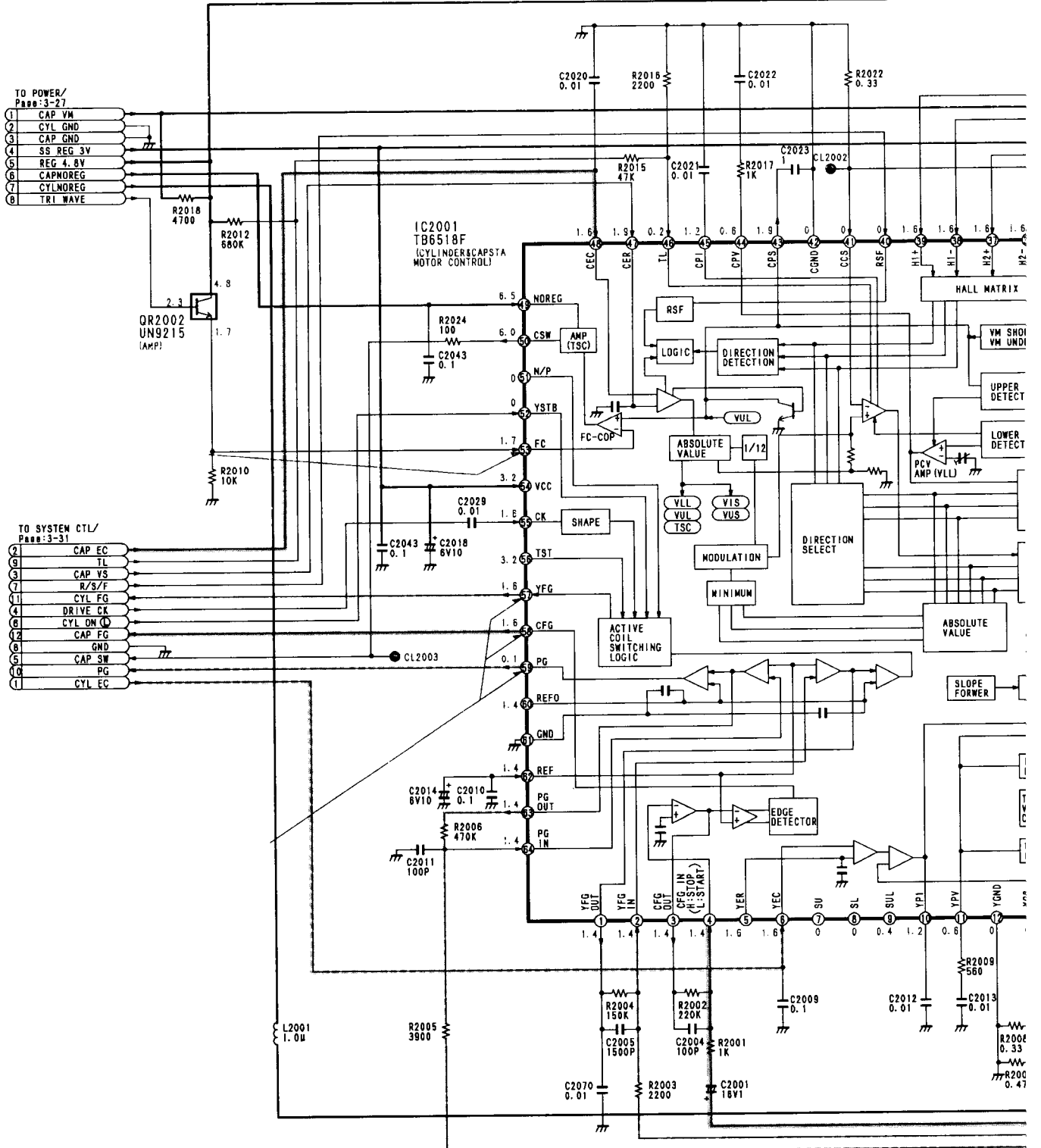
PATH IN REC MODE

MAIN SIGNAL PATH IN PLAYBACK MODE



SUB SERVO SCHEMATIC DIAGRAM

CAPSTAN SERVO SPEED LOG
CAPSTAN SERVO PHASE LOG



TAN SERVO SPEED LOOP
TAN SERVO PHASE LOOP

CYLINDER SERVO SPEED LOOP
CYLINDER SERVO PHASE LOOP

